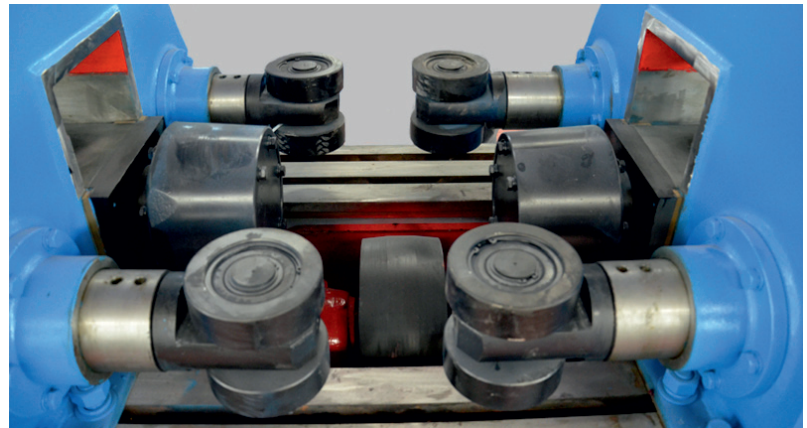
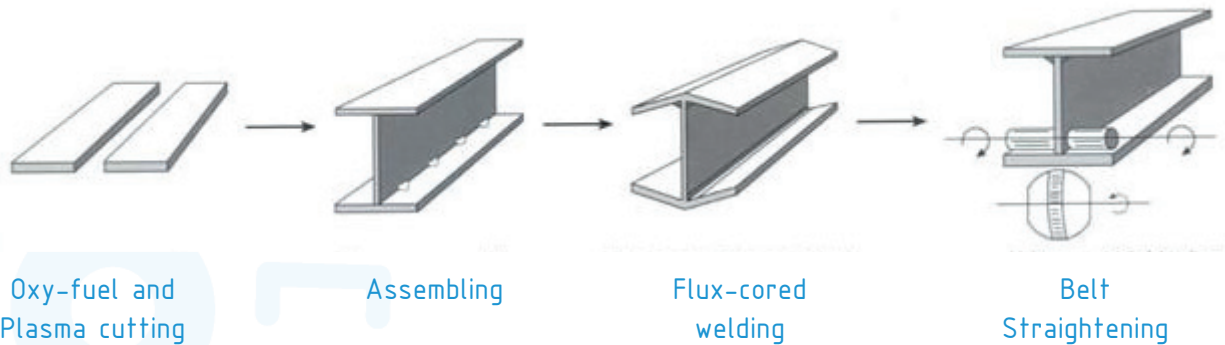


## H-Profile & T-Profile Assembly Post-Welding Straightening Machine

This machine allows straightening of welded beams flanges and compensation of welding distortion effects.



### Process sequence



### TECHNICAL SPECIFICATIONS

Belt Width	mm	200 - 800
Belt thickness	mm	Up to 40
Minimum height of the stem	mm	350
Productivity	m/min	Up to 18